

Thank you for purchasing a Transolid® Shower Pan. Please read the instructions carefully prior to installing the pan. These are the basic instructions for the installation of a Transolid shower pan in a step-by-step sequence that will work in most types of installations. If you have an installation that is not covered here, please call your local Transolid distributor or contact Transolid directly for additional information.

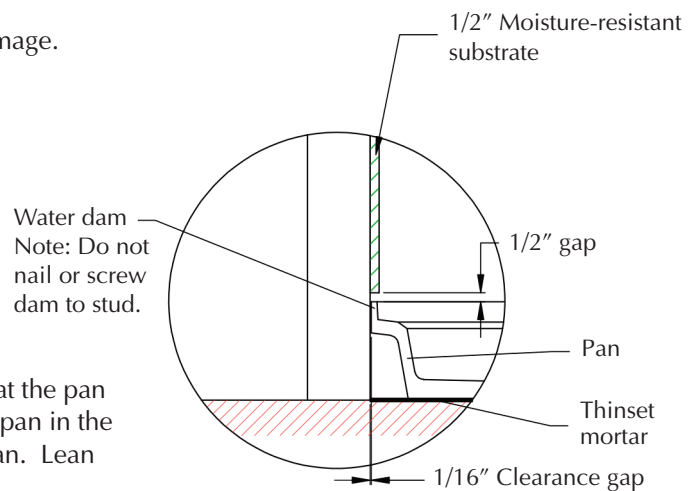
Warning—Please inspect the shower pan for breakage and report any damage to the store of purchase. Allow the shower pan to acclimate to room temperature before installing.

Tools and Supplies Needed for Installation

- Level
- Shims
- Drain Fitting
- Silicone/Plumber's Putty
- Wrench
- 5-gallon empty bucket
- Thin-Set Mortar & Water
- 1/4" - 1/2" Grooved Trowel
- Tool for mixing Thin-Set Mortar

Preparing the Installation Site

- Open shower pan and inspect the product for any damage.
- Clean and scrape the floor of the shower pan alcove. This space must be free of any debris in order to get a proper adhesion with the thin-set mortar.
- Measure the size of the alcove to insure that the pan and panels fit properly.
- Trial fit the pan in the alcove and make sure that the drain location lines up properly with the shower pan. In a three wall application, the pan should slide in easily with approximately 1/16" - 1/8" spacing between the studs and the pan. Placing a level on the pan, check that the pan sits level on the floor. If needed, use shims to level the pan in the alcove. Note the shim locations before removing the pan. Lean the pan back or remove from the alcove.



Installing the Pan

- Install the drain fitting into the shower pan. Follow the installation instructions that came with the drain. Plumber's putty or silicone are acceptable to use with the drain.
- Mix and apply thin-set mortar to the floor, using the notched trowel. Spread the mixture to achieve a depth necessary to fill the voids in the floor and enable the pan to sit level. A 50 lb. bag of thin-set should provide at least 45-50 square feet of coverage. All supporting points should have contact with the thin-set mortar.
- After applying the thin-set, replace the shims (if necessary) in the proper location and set the pan into place. Make sure the pan is resting level on the thin-set and shims and centered in opening.
- Clean the area at the threshold of any excess thin-set. Allow the thin-set and shower pan to cure for 24 hours before working in the pan area. Be sure to protect the pan floor after installation, using card board sheeting or a like material, until the complete project is finished.
- Before proceeding to install the wall system, flood test the shower pan for proper drainage.

Rough Opening (RO) Dimensions

Pan Width	RO
36"	36 1/8"
48"	48 1/8"
60"	60 1/8"